

SENSYLINK Microelectronics

(CA9306)

Dual Bidirectional I²C Bus and SMBus
Voltage-Level Translator

The CA9306 device is a dual bidirectional I²C and SMBus voltage-level translator with an enable input, and is operational from 1.2V to 3.3V V_{REF1} and 1.8V to 5.5V V_{REF2}.

It is ideally used in Servers, Routers, PC, Industrial Automation and two-signal interfaces (I²C, SMBus, PMBus, MDIO, UART, low-speedSDIO,GPIO)

Dual Bidirectional I²C Bus and SMBus Voltage-Level Translator

1. Description

The CA9306 device is a dual bidirectional I²C and SMBus voltage-level translator with an enable input, and is operational from 1.2V to 3.3V V_{REF1} and 1.8V to 5.5V V_{REF2} .

The CA9306 device allows bidirectional voltage translations between 1.2V and 5V without a direction pin. The low ON-state resistance (RON) of the switch allows connections to be made with minimal propagation delay. When EN is high, the translator switch is ON, and the SCL1 and SDA1 I/O are connected to the SCL2 and SDA2 I/O respectively, allowing bidirectional data flow between ports. When EN is low, the translator switch is OFF, and a high-impedance state exists between ports.

The CA9306 device can be used to isolate a 400kHz bus from a 100kHz bus by controlling the EN pin to disconnect the slower bus during fast-mode communication in addition to voltage translation.

Available Package: MSOP-8, DFN3x4-8, DFN2x3-8 package.

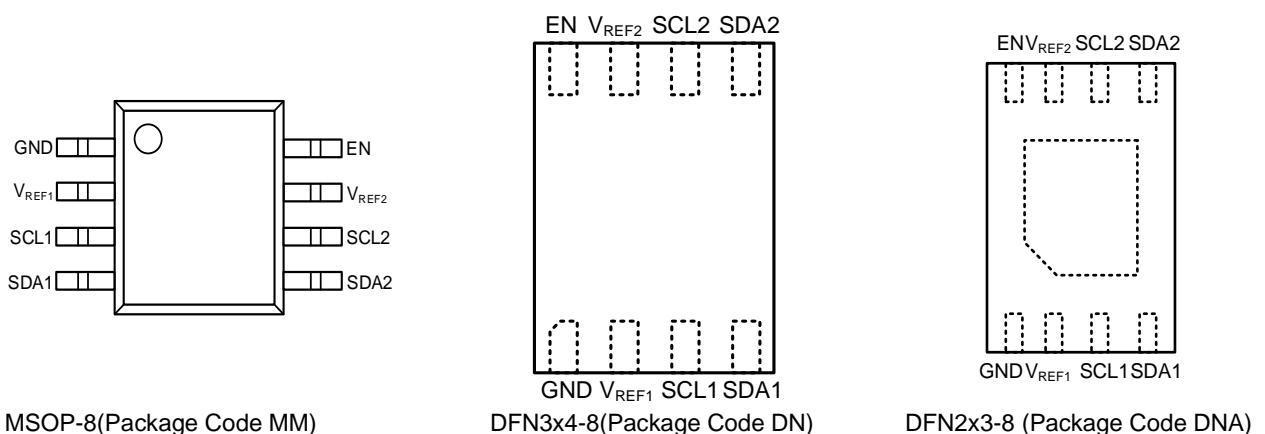
2. Features

- 2-Bit bidirectional translator for SDA and SCL in mixed-mode I²C applications
- I²C and SMBus compatible
- Less than 1.5ns maximum propagation delay to accommodate standard-mode and fast-mode I²C devices and multiple masters
- Allows voltage-level translation between
 - 1.2V V_{REF1} and 1.8V, 2.5V, 3.3V, or 5V V_{REF2}
 - 1.8V V_{REF1} and 2.5V, 3.3V, or 5V V_{REF2}
 - 2.5V V_{REF1} and 3.3V or 5V V_{REF2}
 - 3.3V V_{REF1} and 5V V_{REF2}
- Provides bidirectional voltage translation with no direction pin
- Low 3.5Ω ON-state resistance between input and output ports provides less signal distortion
- 5V tolerant I²C I/O ports to support mixed-mode signal operation
- High-impedance SCL1, SDA1, SCL2, and SDA2 pins for EN = Low
- Lockup-free operation for isolation when EN = Low
- Flow-through pin out for ease of printed-circuit-board trace routing

3. Applications

- I²C, SMBus, PMBus, MDIO, UART, low-speed SDIO, GPIO, and other two-signal interfaces
- Servers
- Routers (Telecom Switching Equipment)
- Personal Computers
- Industrial Automation Applications

4. PIN Configurations



Dual Bidirectional I²C Bus and SMBus Voltage-Level Translator

5. Typical Application

The typical value of R_{PU} is $1k\ \Omega$

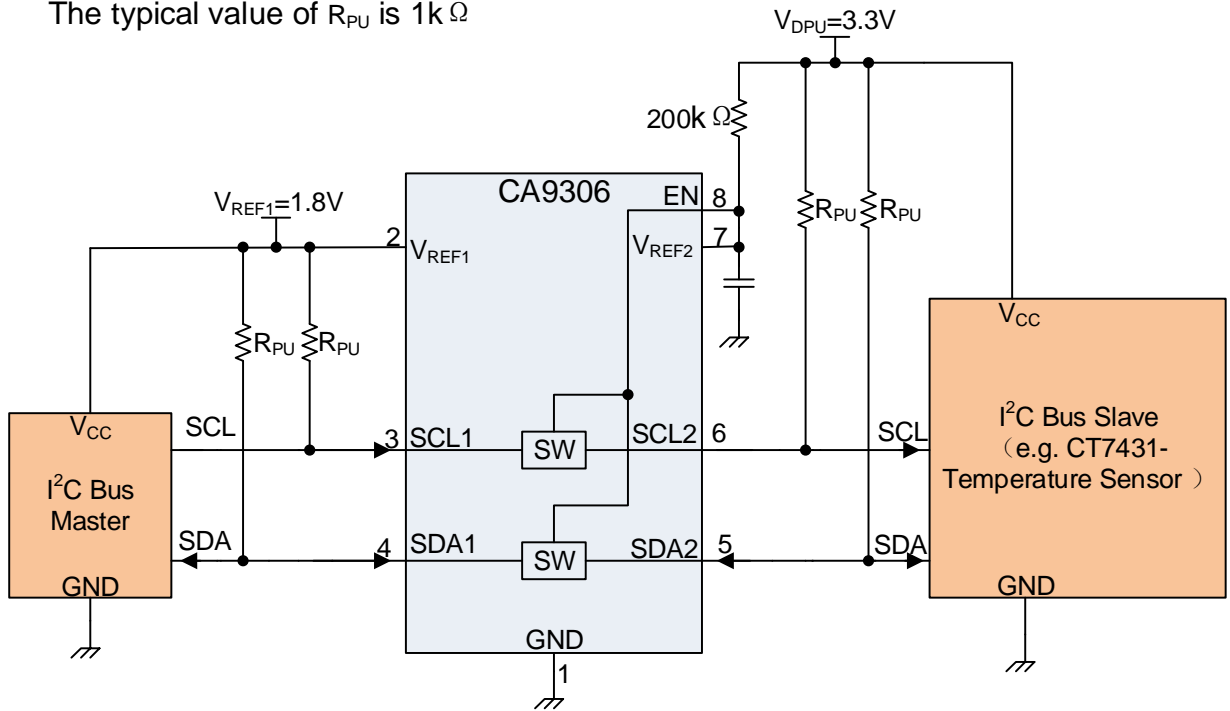


Figure 1 Typical Application Circuit (Switch Always Enable)

The typical value of R_{PU} is $1k\ \Omega$

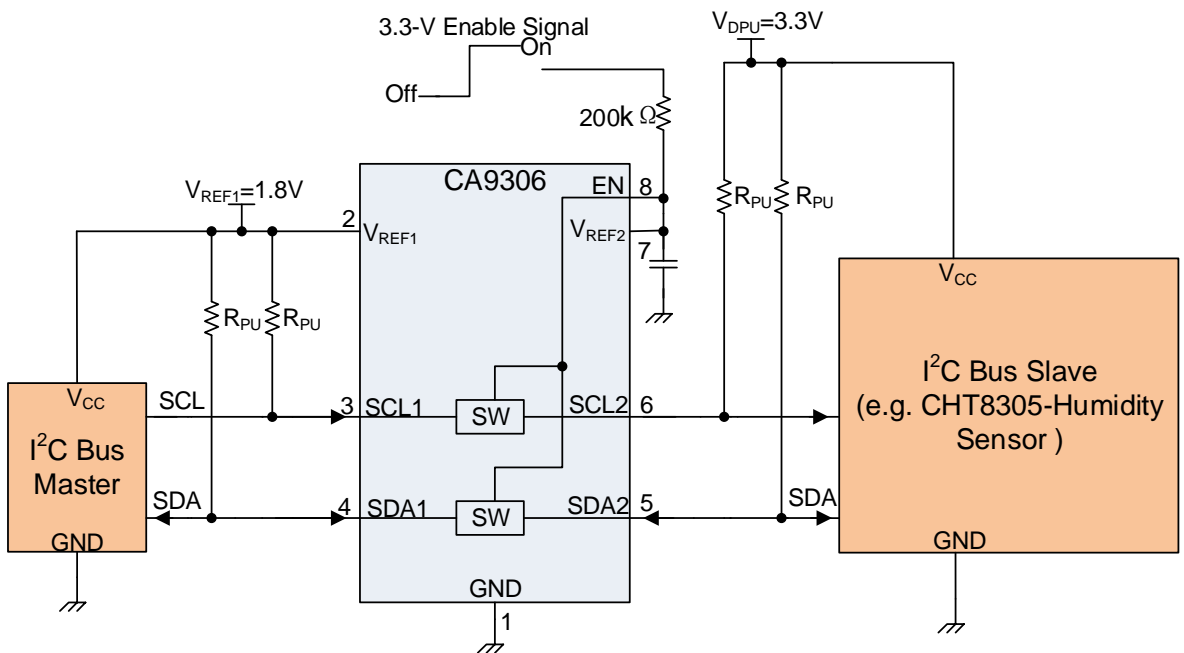


Figure 2 Typical Application Circuit (Switch Enable Control)

Dual Bidirectional I²C Bus and SMBus Voltage-Level Translator

6. Pin Description

PIN Name	PIN No.	Description
GND	1	Supply ground
V _{REF1}	2	Low-voltage-side reference supply voltage for SCL1 and SDA1
SCL1	3	Serial clock, low-voltage side
SDA1	4	Serial data, low-voltage side
SDA2	5	Serial data, high-voltage side
SCL2	6	Serial clock, high-voltage side
V _{REF2}	7	High-voltage-side reference supply voltage for SCL2 and SDA2
EN	8	Switch enable input

7. Function Block

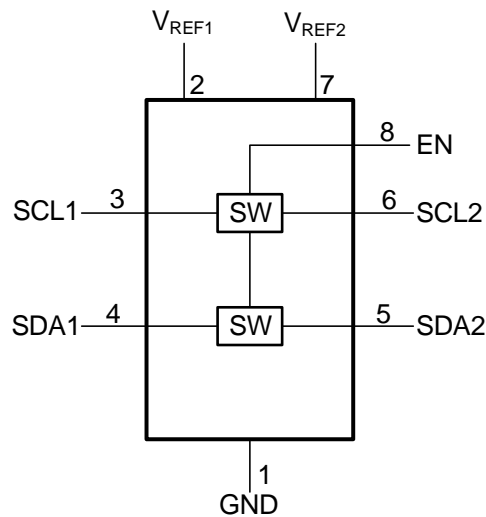
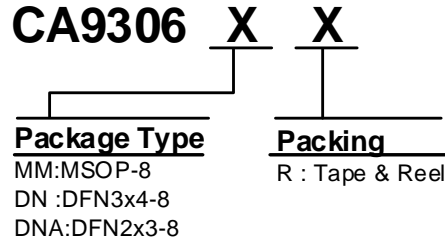


Figure 3 CA9306 Function Block

Dual Bidirectional I²C Bus and SMBus Voltage-Level Translator
8. Ordering Information


Order PN	Green ¹	Package	Marking ID ²	Packing	MPQ	Operation Temperature
CA9306MMR	Halogen free	MSOP-8	9306 YWWAXX	Tape & Reel	3,000	-40°C~+85°C
CA9306DNR	Halogen free	DFN3x4-8	9306 YWWAXX	Tape & Reel	5,000	-40°C~+85°C
CA9306DNAR	Halogen free	DFN2x3-8	HF YWXA	Tape & Reel	3,000	-40°C~+85°C

Notes:

1. Sensylink can meet RoHS2.0/REACH requirement. Most package types Sensylink offers only states halogen free, instead of lead free.
2. Marking ID includes 2 rows of characters. In general, the 1st row of characters are part number, and the 2nd row of characters are date code plus production information.

***SENSYLINK Microelectronics Inc.***

www.sensylink.com

IMPORTANT NOTICE

SENSYLINK Microelectronics Inc. reserves the right to make modifications, enhancements, improvements, corrections or other changes without further notice to this document and any product described herein or to discontinue any product or service. Customers should obtain the latest relevant information before placing orders and should verify the latest and complete information. SENSYLINK Microelectronics does not assume any responsibility for use of any product, nor does SENSYLINK Microelectronics any liability arising out of the application or use of this document or any product or circuit described herein. SENSYLINK Microelectronics assumes no liability for applications assistance or the design of Customers' products. Customers are responsible for their products and applications using SENSYLINK Microelectronics components. SENSYLINK Microelectronics does not convey any license under its patent or trademark rights nor the other rights.