

# ***SENSYLINK Microelectronics***

## ***(CA9543)***

### ***Low Voltage 2-Channel I<sup>2</sup>C/SMBus Switch with Interrupt & Reset***

***CA9543 is a 2-channel bidirectional translating Switch with interrupt input/output and reset input controlled by I<sup>2</sup>C/SMBus. It supports one master can access one pair or any combinations of 2 pairs of slave devices via the I<sup>2</sup>C or SMBus interface. It is ideally used in Server and Telecom equipment.***

# Low Voltage 2-Channel I<sup>2</sup>C/SMBus Switch with Interrupt & Reset

## Description

The chip is a 2-channel bidirectional translating switch with interrupt input/output and reset input controlled by I<sup>2</sup>C/SMBus. The upstream pair (SCL/SDA from the master) fans out to 2 downstream pairs (SCL0-1/SDA0-1 from the slaves). The CA9543 has 8-bit control register, which allows selecting any channel or combinations of channel0-1.

The reset input pin with active low allows the chip to recover from stuck situation from any downstream pair. It can reset the I<sup>2</sup>C bus state machine, and all channels will be deselected once forcing low voltage at  $\overline{\text{RESET}}$  pin.

Four interrupt inputs ( $\overline{\text{INT0}}$  -  $\overline{\text{INT1}}$ ), one for each of downstream pairs are provided. One interrupt output ( $\overline{\text{INT}}$ ) acts as an AND of four interrupt inputs. The chip allows using different bus voltage on each pair, like 1.8V, 2.5V or 3.3V, which can communicate with 5.0V parts by connecting external pull-up resistors to desired voltage.

Available Package: SOP-14, TSSOP-14 package.

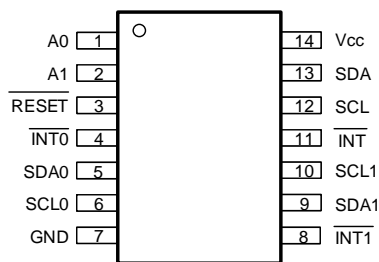
## Features

- Operation Voltage: 1.65V to 5.5V
- Standby Current: 1.5uA (Max.)
- 1-of-2 bidirectional translating switches between 1.8V, 2.5V, 3.3V and 5.0V
- Compatible with SMBus and I<sup>2</sup>C interface
- I<sup>2</sup>C Speed up to 1.0MHz (Fast mode+)
- 2 address pins allowing up to 4 devices on the I<sup>2</sup>C-bus
- $\overline{\text{RESET}}$  input with active low
- One Interrupt output with active low for upstream channel
- Two Interrupt inputs with active low for each downstream channel
- 5.5V tolerant inputs
- Channel0-1 or any combination selection by Control Register
- Support hot insertion
- No Glitch during Power-up
- Noise Filter on SCL/SDA inputs
- Temperature Range: -40°C to 85°C

## Applications

- Server, Notebook PC
- Telecom equipment

## PIN Configurations (Top View)



SOP-14/TSSOP-14(Package code M/MT)

## Typical Application

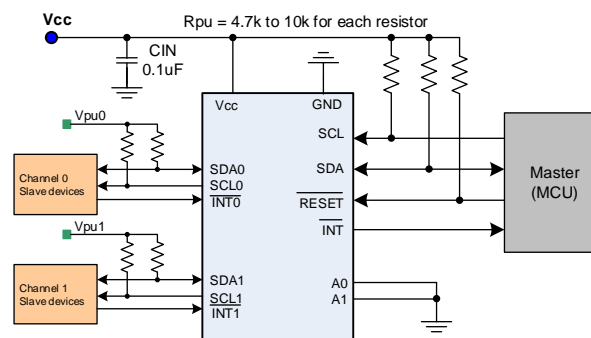


Figure 1. Typical application of CA9543

# Low Voltage 2-Channel I<sup>2</sup>C/SMBus Switch with Interrupt & Reset

## Pin Description

PIN Name	PIN No.	Description
A0	1	Slave addresses setup pins, which can generate 4 kinds of slave addresses by connecting these pins to GND or Vcc respectively.
A1	2	
$\overline{\text{RESET}}$	3	Reset input with active low.
$\overline{\text{INT0}}$	4	Interrupt input 0 with active low, connect to Vpu0 <sup>(1)</sup> via a pull-up resistor.
SDA0	5	Serial data of channel 0, connect to Vpu0 <sup>(1)</sup> via a pull-up resistor.
SCL0	6	Serial clock of channel 0, connect to Vpu0 <sup>(1)</sup> via a pull-up resistor.
GND	7	Ground pin.
$\overline{\text{INT1}}$	8	Interrupt input 1 with active low, connect to Vpu1 <sup>(1)</sup> via a pull-up resistor.
SDA1	9	Serial data of channel 1, connect to Vpu1 <sup>(1)</sup> via a pull-up resistor.
SCL1	10	Serial clock of channel 1, connect to Vpu1 <sup>(1)</sup> via a pull-up resistor.
$\overline{\text{INT}}$	11	Interrupt output with active low, connect to Vcc via a pull-up resistor.
SCL	12	Digital interface clock input pin, need a pull-up resistor to Vcc.
SDA	13	Digital interface data input or output pin, need a pull-up resistor to Vcc.
Vcc	14	Power supply input pin, using 0.1uF low ESR ceramic capacitor to ground

[1] Vpu0 and Vpu1 are the pull-up reference voltage for the associated data line.

## Function Block

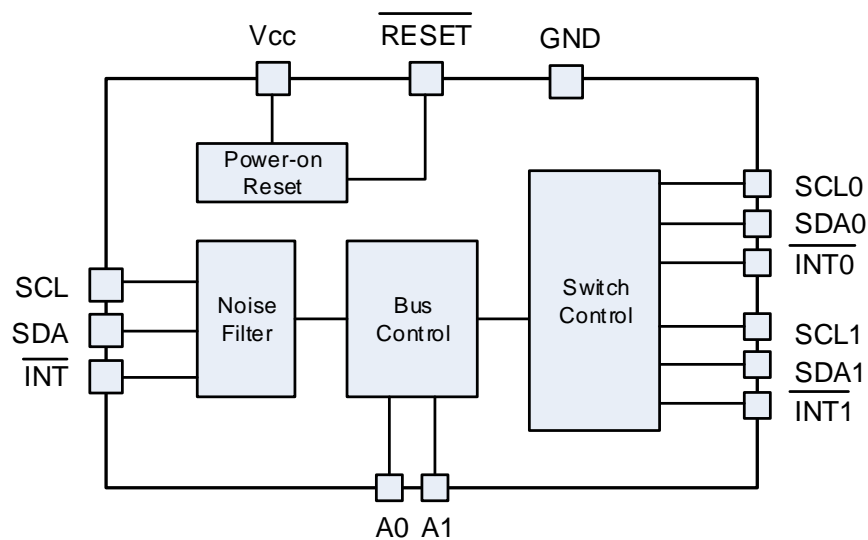
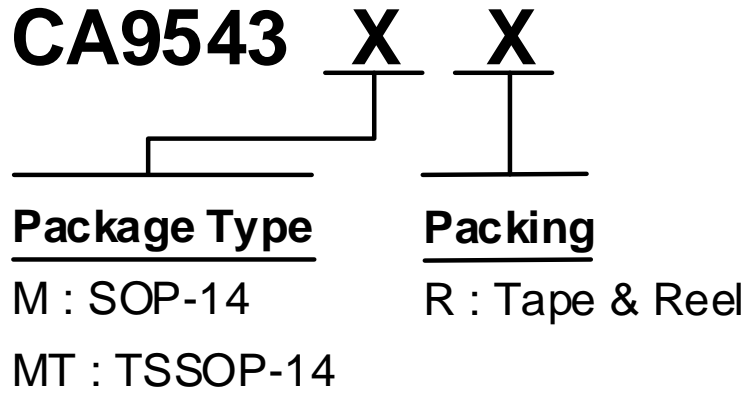


Figure 2. CA9543 function block

**Low Voltage 2-Channel I<sup>2</sup>C/SMBus Switch with Interrupt & Reset**
**Ordering Information**


Order PN	Green <sup>1</sup>	Package	Marking ID <sup>2</sup>	Packing	MPQ	Operation Temperature
CA9543MR	Halogen free	SOP-14	9543 YWWAXX	Tape & Reel	4,000	-40°C ~ +85°C
CA9543MTR	Halogen free	TSSOP-14	9543 YWWAXX	Tape & Reel	4,000	-40°C ~ +85°C

**Notes**

1. Based on ROHS Y2012 spec, Halogen free covers lead free. So most package types Sensylink offers only states halogen free, instead of lead free.

2. Marking ID includes 2 rows of characters. In general, the 1<sup>st</sup> row of characters are part number, and the 2<sup>nd</sup> row of characters are date code plus production information.